



Rigid high temperature pyrometer

D 23

Gas expansion thermometers manufactured according to **EN 13190** standard. Reliable tools that withstand extreme working conditions: engine vibration, humidity and aggressive media such as seawater.

Especially designed to measure the temperature of the exhaust gases of the engines. The pyrometer box is filled with silicon oil serving as a vibration dampener.



STANDARD PARAMETERS

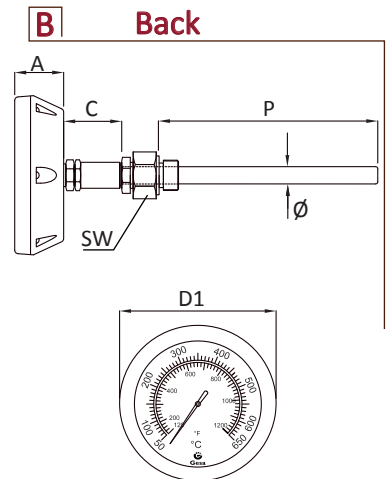
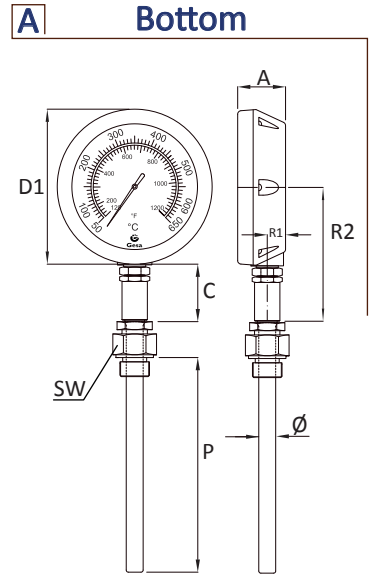
- Design: **EN 13190**
- Mounting: See attached diagrams **A** or **B**
- Closing: Ring threaded to case. Sealed by rubber gasket
- IP protection: IP65 (**EN 60529**)
- Accuracy: Class 1.6
- Temperature limits:
 - Room temperature: -40+65°C
 - Fluid overtemperature: maximum 15% end of scale
 - Max. pressure on stem: 50 bar
- Temperature range: +50+650 °C/°F
- Sensor element: Bourdon tube (Inert gas expansion)
- Stem length (P): **150; 200; 300; 400** mm
- Process connection: Sliding on the stem
- Threaded connection: ½" BSP, ½" NPT, ¾" BSP, ¾" BSP, M20x150 or M22x150
- Antivibration liquid: Silicon oil
- Vibration damping system: Rigid

MATERIALS

- Case and ring: Black anodized aluminum
- Moving parts and bourdon tube: Copper alloy
- Threaded connection: AISI 304 Stainless steel
- Display: Glass
- Dial: White lacquered aluminum
- Pointer: Black lacquered aluminum
- Stem: AISI 304 Stainless steel

Application:

- Engines
- HVAC



DIMENSIONS (mm)									WEIGHT (g)
DN	Mounting	R1	A	D1	Ø	R2	SW	C	
Ø100	A	12	32	118	12	100	27	42	877
Ø100	B	-	32	118	12	-	27	42	877

Temperature scale according to DIN 16206

Scale printed on the dial (°C)	Working range (°C)	Subdivision °C/line	Maximum error
+50+650	+100+600	10	10

How to order

1. Mounting A B	2. Stem length (mm) 150 300 200 400	3. Process connection Sliding on stem	4. Threaded connection ½" BSP ¾" BSP M20x150 More on demand ½" NPT ¾" BSP M22x150	5. Connection type Male Female
6. Connection material AISI 304 Stainless steel	7. Calibration certificate traceable to ENAC 3 points 6 points 4 points 7 points 5 points Without certificate			

D23 -

1	2	3	4	5	6	7



Order it online!



D5

sales@teximor.pl